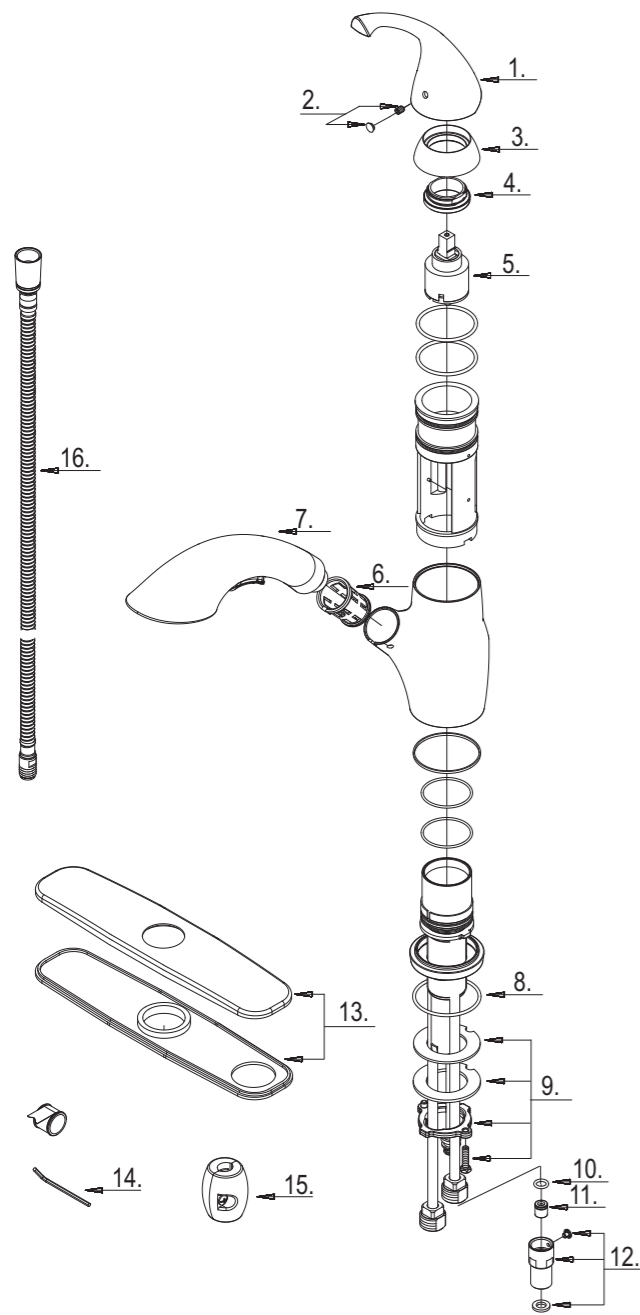


## Replacement Parts

Keep this manual for ordering replacement parts.



- 1 Metal Handle
- 2 Handle Insert-Cold/Hot
- 3 Cap
- 4 Lock Nut
- 5 Ceramic Disc Cartridge
- 6 Hose Fitting
- 7 Spray Head w/Check Valve
- 8 O-ring (Φ2" ID \* Φ2-1/8" OD)
- 9 Mounting Hardware Assembly
- 10 O-ring (Φ5/16" ID \* Φ1/2" OD)
- 11 Check Valve
- 12 Hose Adaptor Assembly
- 13 Cover Plate & Putty Plate
- 14 Hex Wrench (H2.5 \* 19 mm L \* 53 mm L)
- 15 Weight
- 16 Spray Hose

## Trouble - Shooting

If you've followed the instructions carefully and your faucet still does not work properly, take these corrective steps.

Problem	Cause	Action
Leaks underneath handle.	Adjusting ring or cap has come loose.	Tighten the adjusting ring or cap.
Aerator leaks or has an inconsistent water flow pattern.	Aerator is dirty or misfitted.	Unscrew the aerator to check rubber packing or replace the aerator.
Water will not shut off completely.	Dirty or worn out plastic washer in the cartridge.	Remove handle and cartridge to check if ceramic disk is damaged permanently or dirty. Re-install cartridge.

# Kräus®

Where Creativity Is Endless

Dear Valued Customer,

Kraus would like to take this opportunity to thank you for purchasing Kraus products. It is our sincere hope that you are completely satisfied with your new purchase. We welcome any questions or comments you may have, and look forward to assisting you in the future.

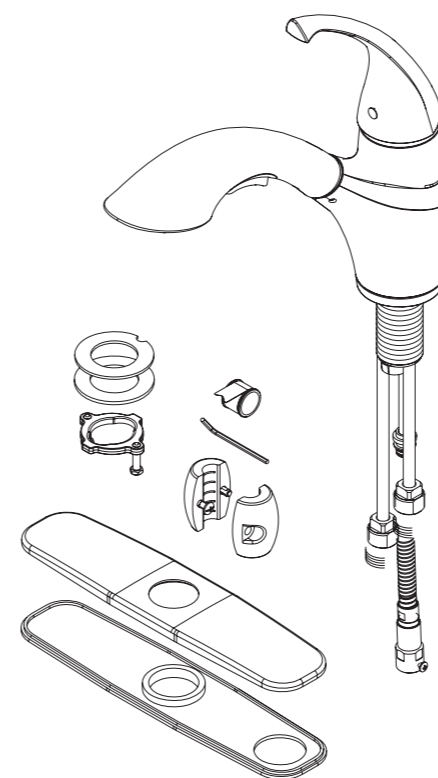
Sincerely,  
Kraus customer service department.



## Pull Out Kitchen Faucet

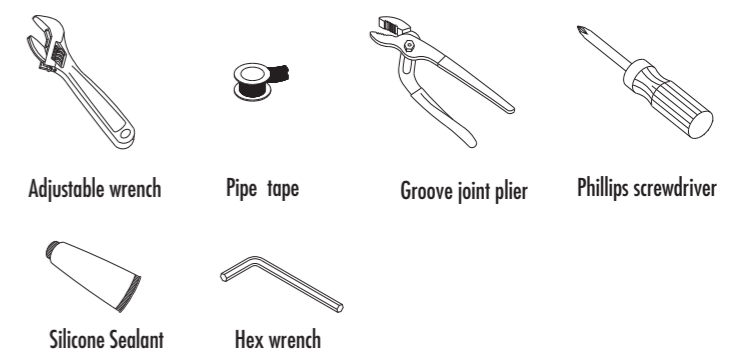
### Before Your Installation

Check to make sure you have the following parts indicated below:



Model
KPF-2210CH
KPF-2210SN
KPF-2210ORB

### Tools You Will Need

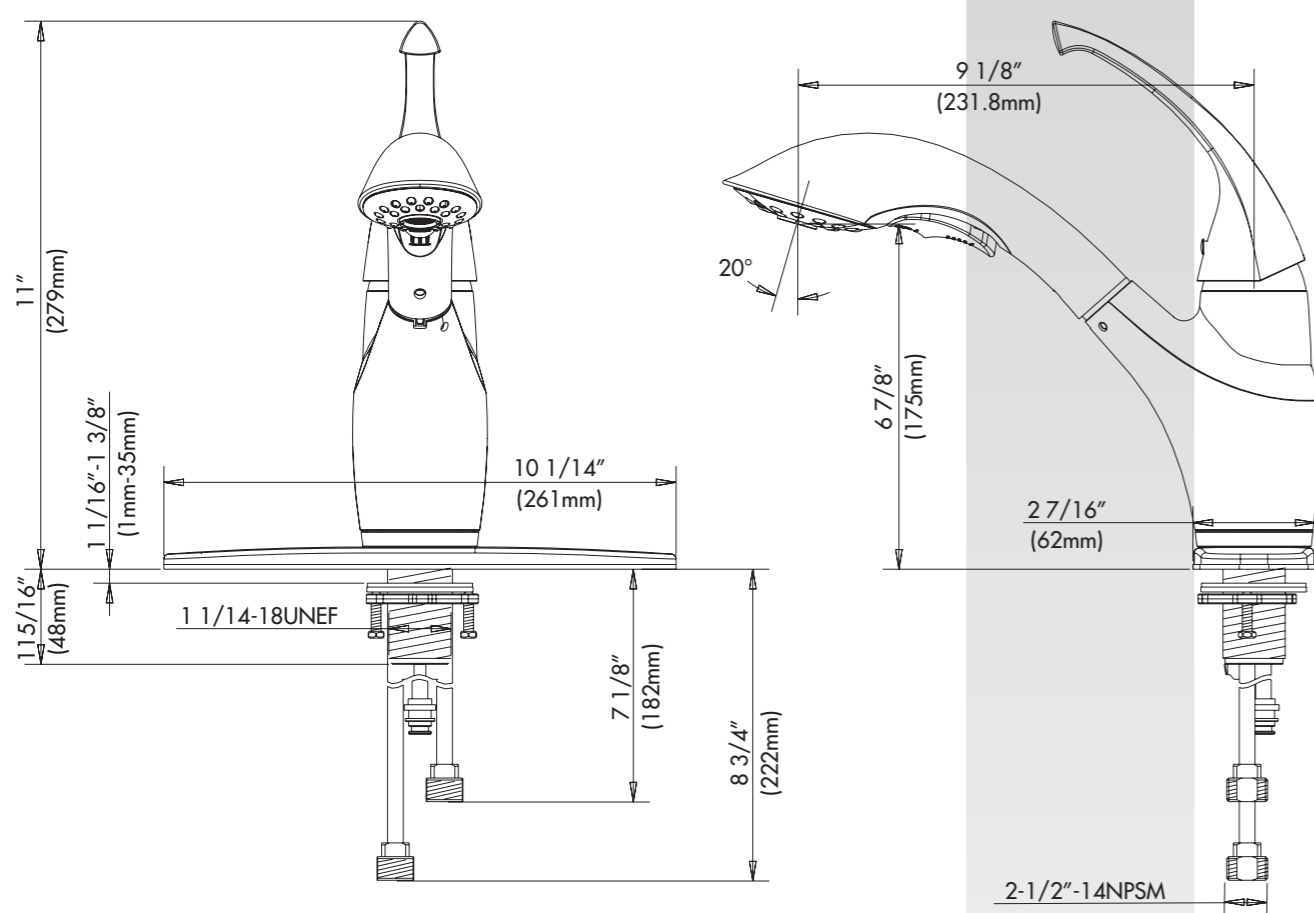


#### SAFETY TIPS

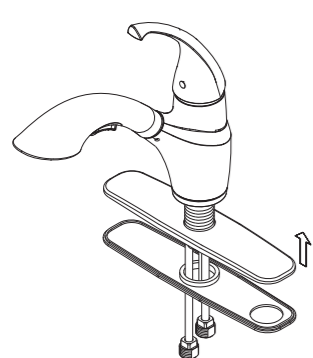
- If you use soldering for the installation of the faucet, the seats, cartridges and washers will have to be removed before using flame. Otherwise, warranty will be void on these parts
- Cover your drain to avoid losing parts

## Faucet Installation Procedure

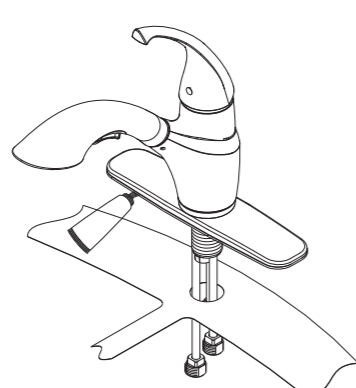
Shut off main water supply before installation.



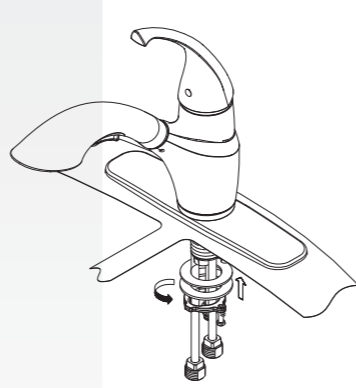
The fittings should be installed by the licensed plumber.



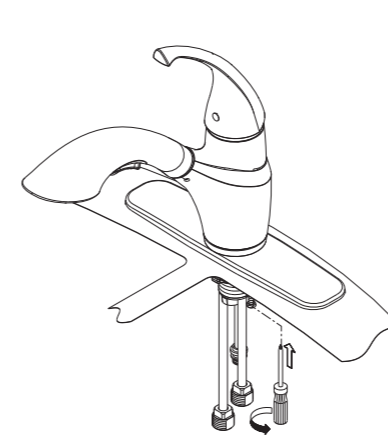
- 1 Attach cover plate to bottom of faucet with plastic gasket.



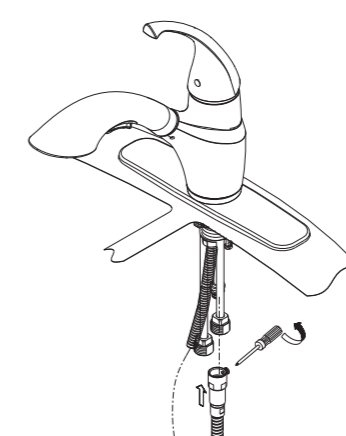
- 2 Place putty beneath the plastic gasket and install faucet through center hole.



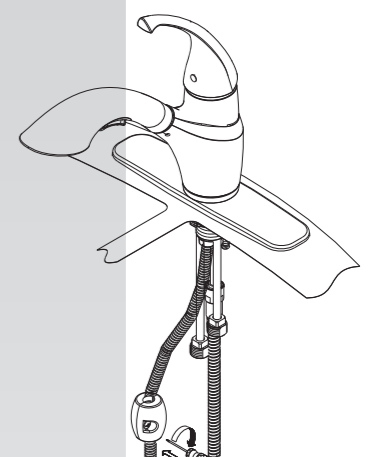
- 3 Attach rubber washer, metal washer, and lock nut on mounting body.



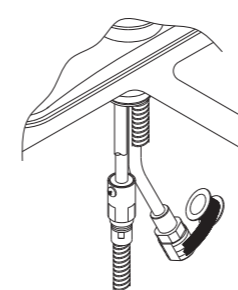
- 4 Tighten the two screws on lock nut.



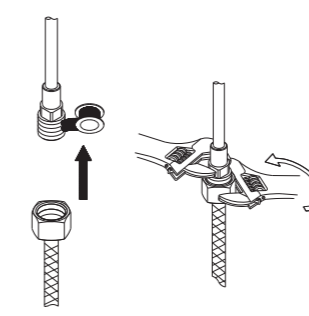
- 5 Loosen screw on adapter at the end of flex hose, push adapter with hose coupling until you hear a "click". Tighten with screw.



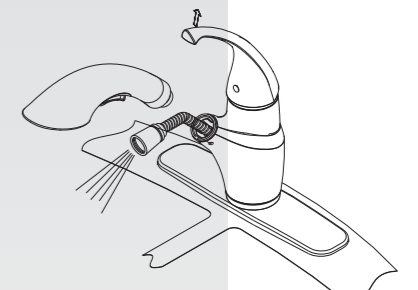
- 6 Attach metal weight to hose to prevent hose from twisting. Returns hose to proper position.



- 7 Apply pipe tape on threads of the inlet port.



- 8 Tighten end of shank with wrench and slip hose onto inlet port.



- 9 Remove spray head from hose line. Turn on water and check for leaks. Replace spray head.

## KRAUS® Brand Kitchen Faucets Limited Lifetime Warranty

KRAUS is proud to offer its customers the strongest, most durable ceramic cartridges in all solid brass Kitchen Faucets it manufactures. KRAUS guarantees all of our products to be free of defect in materials and craftsmanship. All KRAUS BRAND Kitchen Faucets carry a limited lifetime warranty from the original date of purchase.

If a product fails due to defect in material or craftsmanship during the warranty period, KRAUS will repair or replace the items at our sole discretion. Warranty does not apply when the item has been tampered with, misused, improperly installed, altered, or damaged due to abuse or accident. Proof of purchase (original sales receipt) must be provided to KRAUS for all warranty claims. Please contact one of our representatives if you need any additional details.

All KRAUS products must be installed by a licensed professional plumber or contractor to avoid any improper use or installation.

IN NO EVENT SHALL KRAUS BE LIABLE FOR ANY INCIDENTAL, CONSEQUENTIAL OR SPECIAL DAMAGES, INSTALLATION COST, LABOR, TRAVEL TIME, FREIGHT COSTS INCURRED, LOST PROFITS, OR CONTINGENT LIABILITIES.

KRAUS USA Inc. makes no representation that its products comply with any or all local building or plumbing codes. It is the consumer's responsibility to determine local code compliance.

This warranty extends to the original purchaser and first consumer.

## MAINTENANCE

Your new faucet is designed for years of trouble-free performance.

Keep it looking new by cleaning it periodically with a soft cloth. Avoid abrasive cleaners, steel wool and harsh chemicals as these will dull the finish and void your warranty.

## MAINTENANCE

Your new faucet is designed for years of trouble-free performance.

Keep it looking new by cleaning it periodically with a soft cloth. Avoid abrasive cleaners, steel wool and harsh chemicals as these will dull the finish and void your warranty.